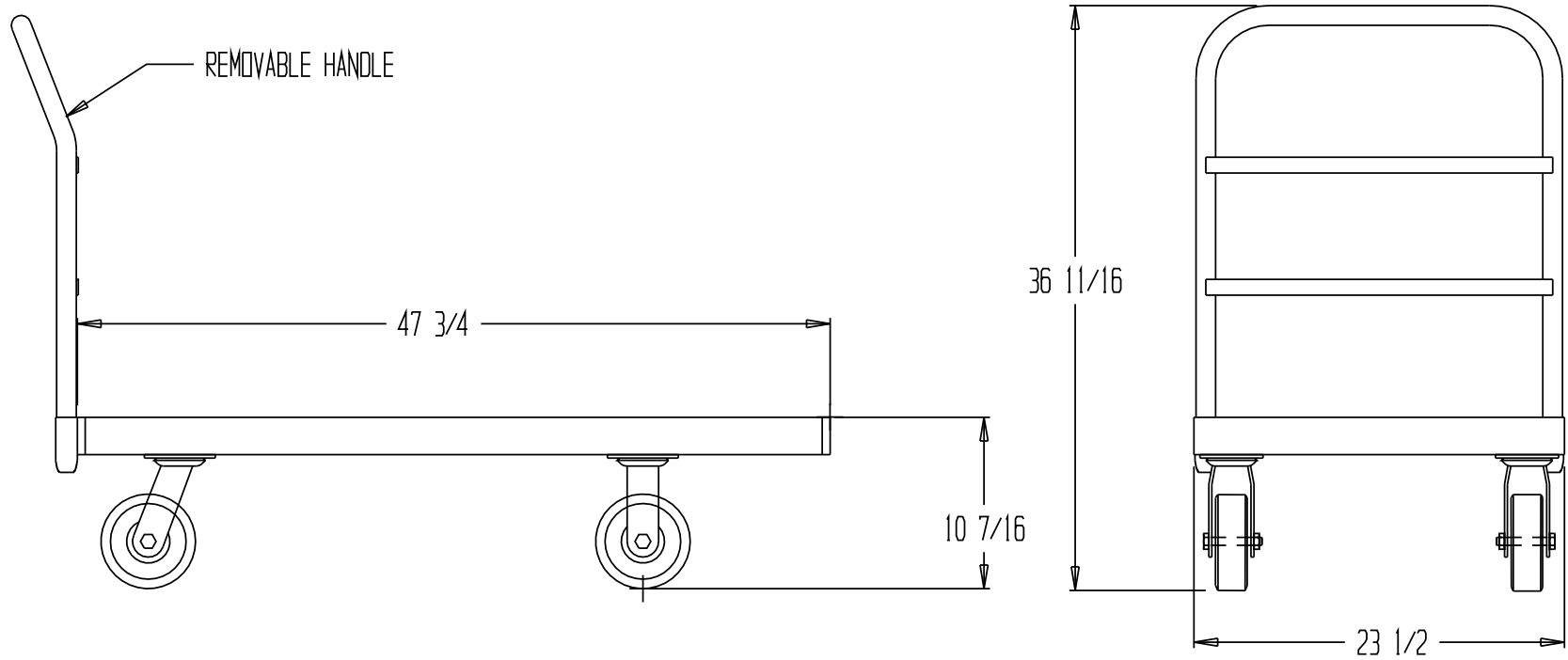


**SPECIAL UNITS ARE NON-RETURNABLE
 *AVAILABLE AT ADDITIONAL COSTS

STEEL PLATFORM TRUCK, ECSPT-2448



LEAD TIME WILL START UPON
 RECEIPT OF SIGNED APPROVAL
 DRAWING

STANDARD FEATURES

MODEL NUMBER: ECSPT-2448
 CAPACITY: 2,000 LBS.
 USABLE PLATFORM: 23 1/2" X 47 3/4"
 PLATFORM HEIGHT: 10 7/8"
 CASTERS: 6 X 2 MOLD-ON-RUBBER
 TWO SWIVEL, TWO RIGID
 UNIT IS PAINTED GRAY

CASTERS ARE REMOVABLE

SPECIAL FEATURES

NONE

**Any additions, deletions or omissions must
 be corrected on this drawing, as this drawing
 will be considered all inclusive.**

*** ALL GRAPHICS PROVIDED ARE FOR REFERENCE ONLY. IF CERTAIN DIMENSIONS
 ARE CRITICAL PLEASE VERIFY THOSE DIMENSIONS WITH YOUR SALESPERSON. ***

APPROVAL

I, the undersigned, hereby approve this print
 As drawn As marked
 This includes my approval of design & dimensions.
 Signed: _____
 Date: _____

DISTRIBUTOR'S NAME:		P.O.#: -
VESTIL MANUFACTURING		W.O.#: -
DRAWN BY: SR	DATE: 6-1-06	SALES: -
REFERENCE:		DRWG./FILE NAME:
-	SCALE: 1:12	16-007-295